



CHENGDU XINLI PRECISION TOOL CO.,LTD.

Chengdu Xinli Precision Tool Co., Ltd

Tel:+86-28-84977620

Fax:+86-28- 84940818

Mobile:13882246828(Lesley Chen)/ 13880388664(Anne Zeng)

Web:www.xinli-tool.com

Add:Building 1,No.10,Western Section,Hunan Road, Chengdu- aba Industrial Zone, Huaikou , Jintang , Chengdu City, Sichuan Province, China

Post Code: 610404

E-mail address:lesley@xinli-tool.com/anne@xinli-tool.com



CHENGDU XINLI PRECISION TOOL CO., LTD.

CHENGDU XINLI PRECISION TOOL CO.,LTD.

COMPANY PROFILE

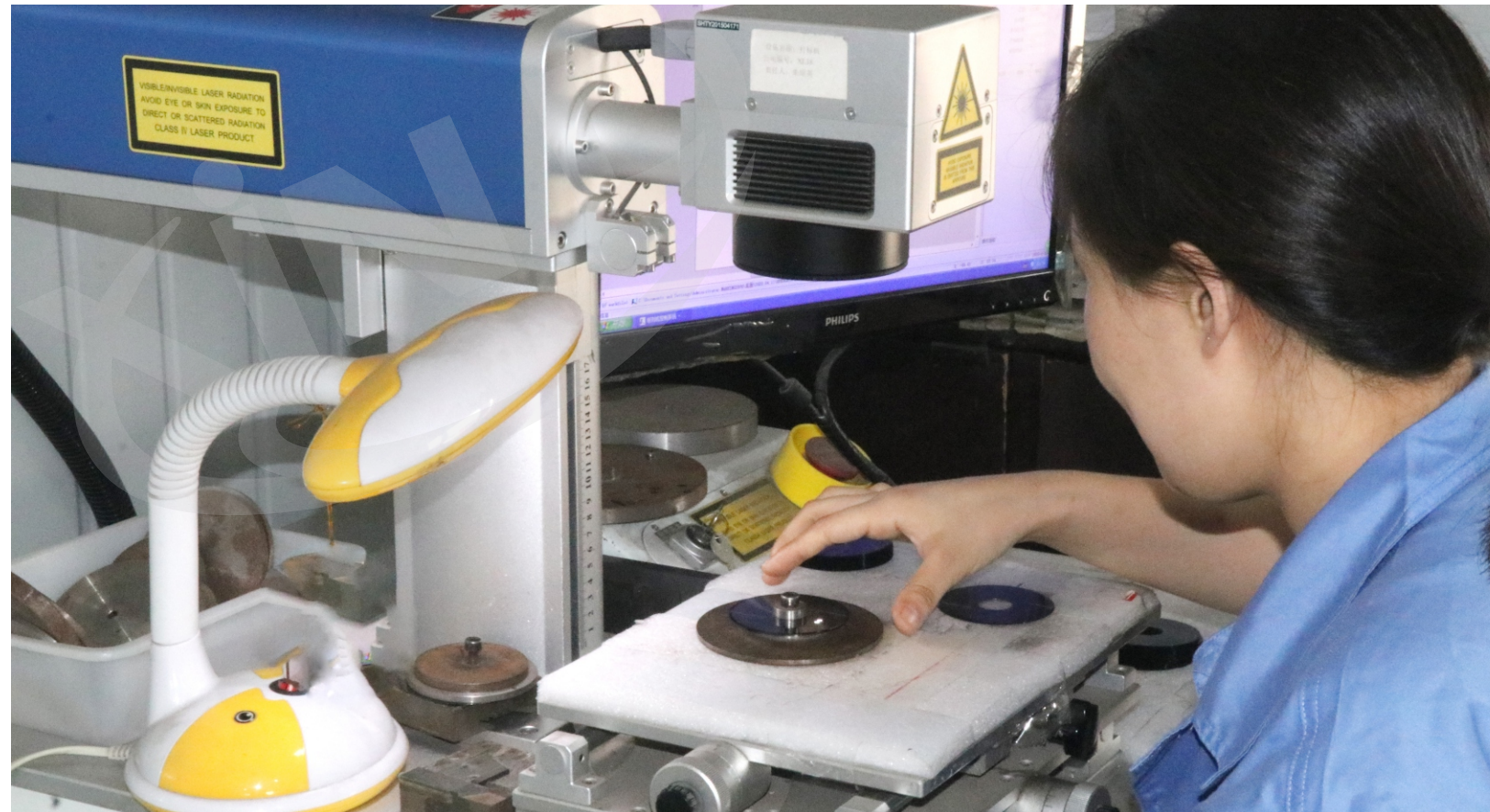
Located in Chengdu, Sichuan Province, the hometown of giant panda, Chengdu Xinli Precision Tool Co., Ltd. is a manufacturing enterprise specializing in the production of cemented carbide knives and blades.

Our management and technology group have engaged in industrial knife and blade manufacturing industry for about 20 years. We have rich experience in design and manufacturing industrial knives and machine blades, and always insist on providing advanced, high qualified and stable products and services.

The professional technicians, qualified workers, advanced and strict quality management system guarantee the stability of our products. "Xinli"'s products are widely used in chemical fiber, rubber, tobacco, glass fiber textile, battery, leather-wear, woodworking, food processing, metalworking, printing, packaging and paper making industries. More than half of our products are sold in the overseas markets and have won trust and favorable comments from the masses of users deeply.

"Xinli" always adheres to the concept of "quality first and customer first". From the inherent high-quality original raw materials to the craftsmanship for excellence, we continue to improve and progress, and have enough ability to provide customers with cost-effective products.

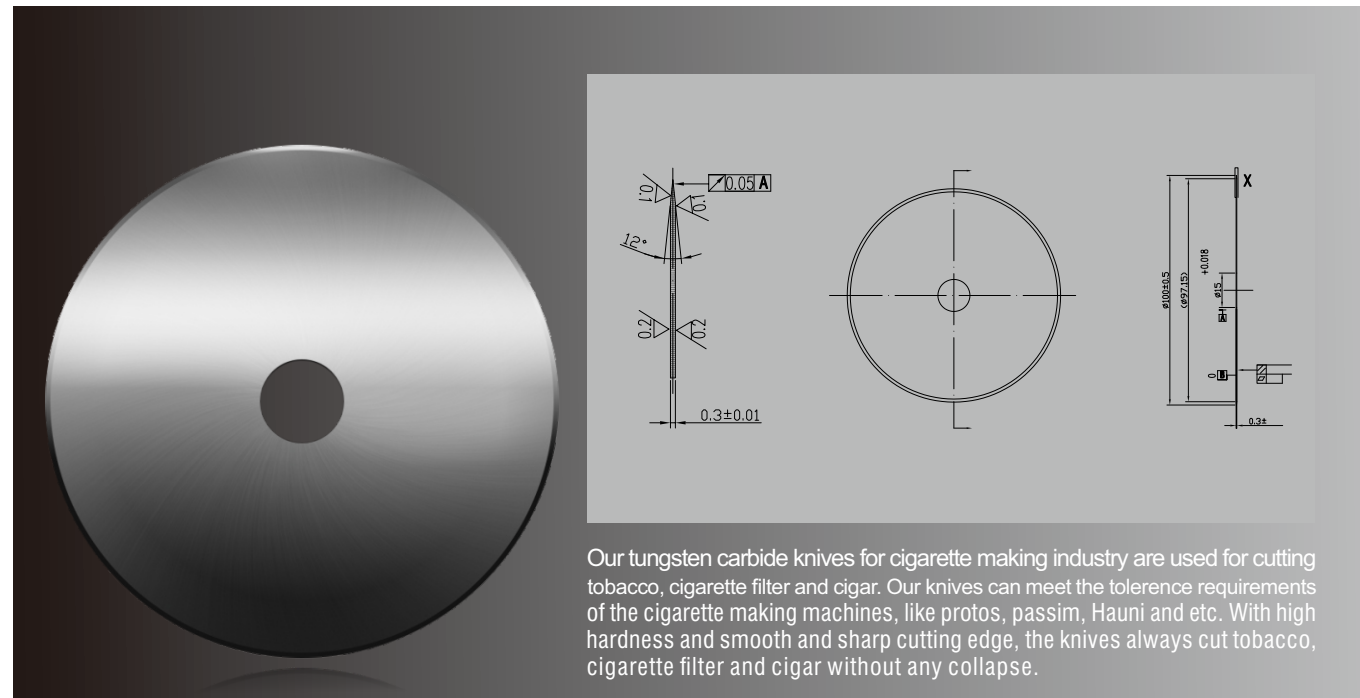
We sincerely welcome new and old customers contact us freely. On the road to success, we will be your most loyal and reliable partner!



CONTENT

- **KNIVES FOR CIGARETTE MAKING INDUSTRY**
knives for cigarette making industry 01/02
- **SLITTING KNIVES FOR CORRUGATED PAPERBOARD INDUSTRY**
For low medium speed machine(Chinese Machine)
For high speed machine(foreign machine) 03/04
- **KNIVES FOR DISPOSABLE PAPER INDUSTRY**
Rewinder bottom slitter 05/06
Circular slitting blades for paper tube 07/08
Long knives for wet tissue 09/10
- **BLADES FOR PACKING AND PRINTING INDUSTRY**
Tungsten carbide inserts for book binding 11/12
Tungsten carbide milling(saw) blades with teeth for paper processing 13/14
- **BLADES FOR LITHIUM INDUSTRY**
Slitter blades for lithium battery electrode sheet
electric capacitance special knives 15/16
- **KNIVES FOR METAL SLITTING**
Knives for metal slitting 17/18
- **THIN BLADES FOR CHEMICAL FIBER INDUSTRY**
Thin blades for chemical Fiber industry 19/20
- **BLADES FOR CARVING**
Special carving blades for Esko 21/22
- **SPECIAL CIRCULAR KNIVES FOR GUMMED TAPE SLITTING**
Special circular knives for gummed tape slitting 23/24
- **CIRCULAR KNIVES FOR OTHER INDUSTRIES**
Circular knives for other industries 25/26
- **ZUND BLADE**
Zund blade 27/28

THE KNIVES FOR CIGARETTE MAKING INDUSTRY



Dimension(mm)	ID(mm)	OD(mm)	Thickness(mm)	Knife Edge
Φ60*Φ19*0.27	Φ19	Φ60	0.27	Single/double side
Φ61*Φ19.05*0.3	Φ19.05	Φ61	0.3	
Φ63*Φ19.05*0.254	Φ19.05	Φ63	0.254	
Φ63*Φ15*0.3	Φ15	Φ63	0.3	
Φ64*Φ19.5*0.3	Φ19.5	Φ64	0.3	
Φ85*Φ16*0.25	Φ16	Φ85	0.25	
Φ89*Φ15*0.38	Φ15	Φ89	0.38	
Φ100*Φ15*0.35	Φ15	Φ100	0.35	
Φ100*Φ16*0.3	Φ16	Φ100	0.3	
Φ100*Φ16*0.2	Φ16	Φ100	0.2	
Φ100*Φ15*0.2	Φ15	Φ100	0.2	
Φ110*Φ22*0.5	Φ22	Φ110	0.5	
Φ140*Φ46*0.5	Φ46	Φ140	0.5	

Materials: Tungsten Carbide or customization Materials.

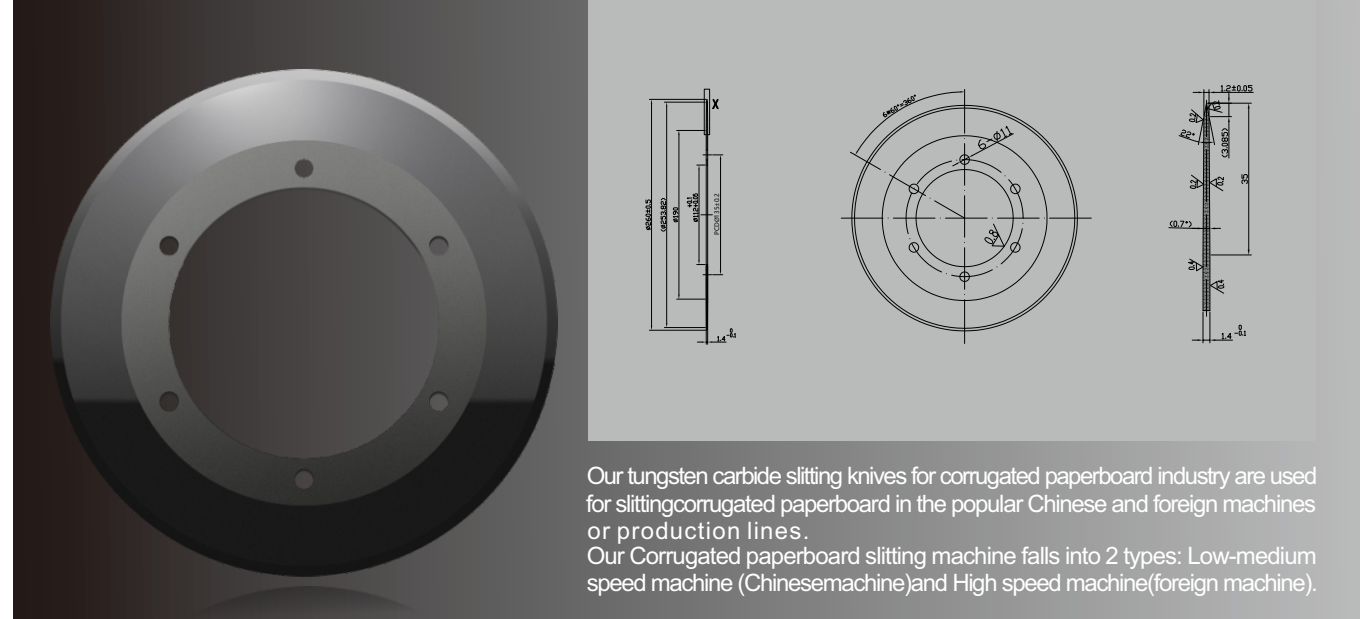
Application: For cigarette making industry, for cutting tobacco, paper cutting, film, foam, rubber, foil, graphite and so on.

NOTE: Customization available per customer drawing or actual sample



SLITTING KNIVES FOR CORRUGATED PAPERBOARD INDUSTRY

For low medium speed machine(Chinese Machine)
For high speed machine(foreign machine)



Dimension(mm)	ID(mm)	OD(mm)	Thickness(mm)	Machine Brand
Φ270*Φ168.3*1.4	Φ168.3	Φ270	1.2	Hsieh
Φ260*Φ158*1.3	Φ158	Φ260	1.3	Justu
Φ260*Φ114*1.4	Φ114	Φ260	1.4	Wanlian
Φ260*Φ112*1.4	Φ112	Φ260	1.4	Wanlian
Φ250*Φ130*1.3	Φ130	Φ250	1.3	Kaituo
Φ250*Φ105*1.3	Φ105	Φ250	1.3	Jingshan
Φ230*Φ130*1.3	Φ130	Φ230	1.3	Neide
Φ265*Φ112*1.4	Φ112	Φ265	1.4	Oranda
Φ260*Φ112*1.4	Φ112	Φ260	1.4	Oranda
Φ260*Φ168.27*1.2	Φ168.27	Φ260	1.2	Hooper/Simon
Φ250*Φ150*0.8	Φ150	Φ250	0.8	Peters
Φ244*Φ222*1.0	Φ222	Φ244	1.0	Hooper
Φ240*Φ32*1.2	Φ32	Φ240	1.2	BHS

Knife edge type: Single or double side available.

Materials: Tungsten Carbide or customization Materials.

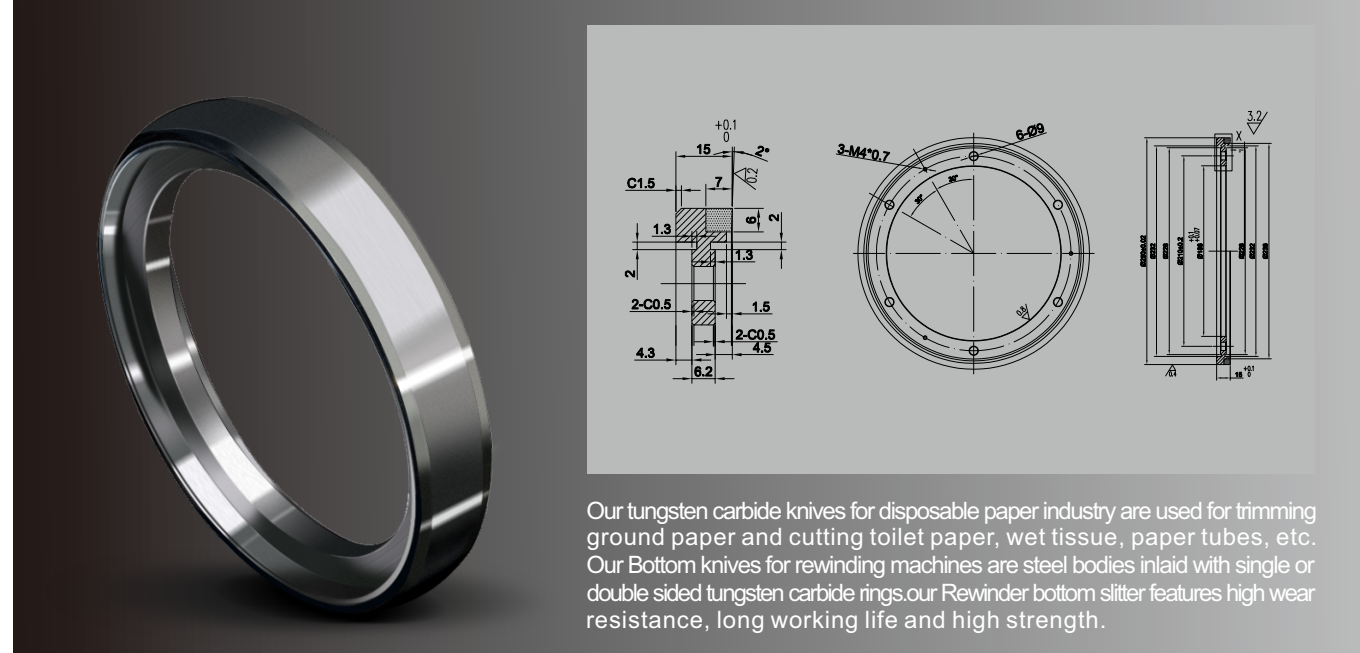
Application: For corrugated paperboard industry, for cutting tobacco, paper cutting, film, foam, rubber, foil, graphite and so on.

NOTE: Customization available per customer drawing or actual sample



KNIVES FOR DISPOSABLE PAPER INDUSTRY

Rewinder bottom slitter



Dimension(mm)	OD(mm)	ID(mm)	Thickness(mm)	Material
Φ250*Φ200*38	Φ250	Φ200	38	Inlaid TC ring
Φ250*Φ200*20	Φ250	Φ200	20	Inlaid TC ring
Φ250*Φ188*25	Φ250	Φ188	25	Inlaid TC ring
Φ250*Φ188*20	Φ250	Φ188	20	Inlaid TC ring
Φ250*Φ188*15	Φ250	Φ188	15	Inlaid TC ring
Φ250*Φ180*25	Φ250	Φ180	25	Inlaid TC ring
Φ250*Φ180*15	Φ250	Φ180	15	Inlaid TC ring
Φ250*Φ140*20	Φ250	Φ140	20	Inlaid TC ring
Φ250*Φ180*15	Φ250	Φ180	15	Inlaid TC ring
Φ250*Φ138*15	Φ250	Φ138	15	Inlaid TC ring
Φ240*Φ188*30	Φ240	Φ188	30	Inlaid TC ring
Φ210*Φ188*50	Φ210	Φ188	50	Inlaid TC ring
Φ210*Φ180*25	Φ210	Φ180	25	Inlaid TC ring

Knife edge type: Single or double side available.

Materials: Tungsten Carbide or customization Materials.

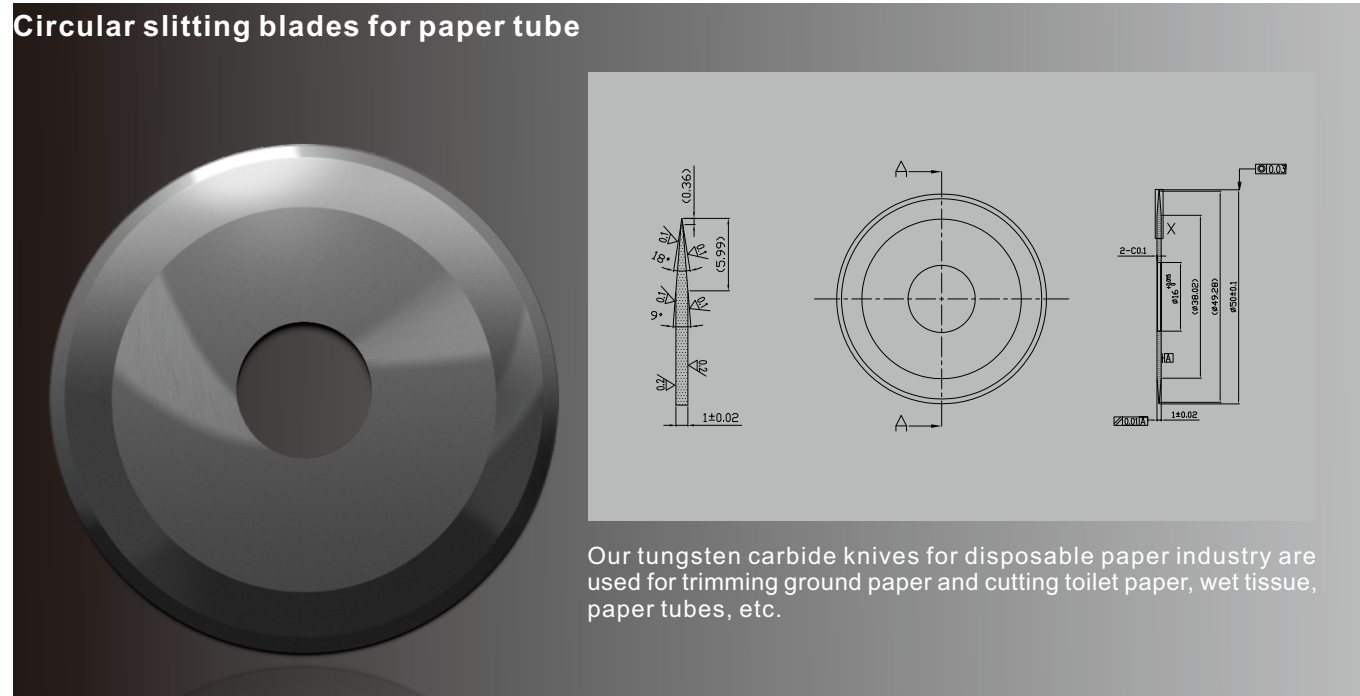
Application: For cutting paper cutting, film, foam, disposable paper, baby diaper, adult diaper, paper tube and so on.

NOTE: Customization available per customer drawing or actual sample



CIRCULAR SLITTING BLADES FOR PAPER TUBE

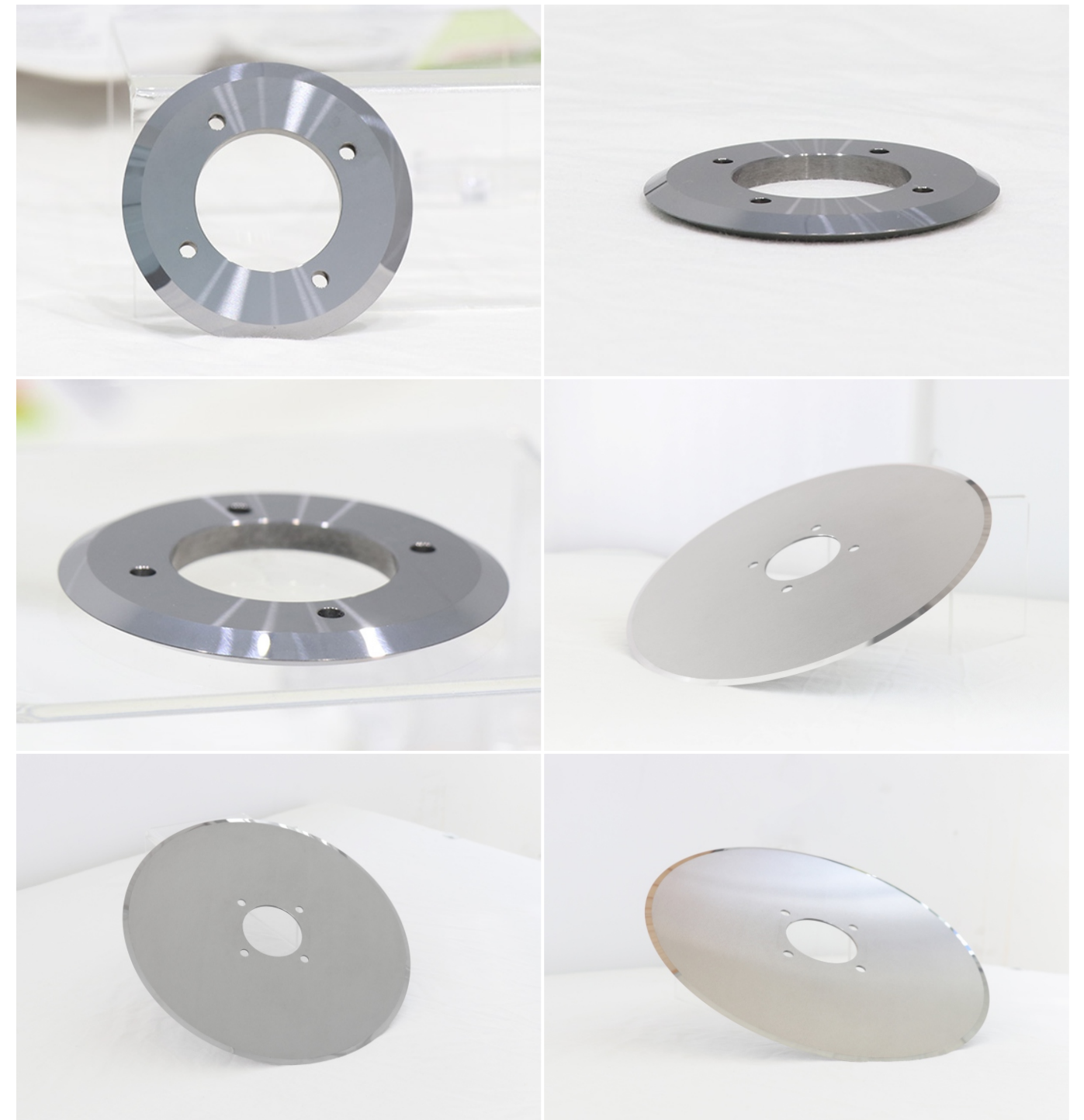
Circular slitting blades for paper tube



Dimension(mm)	OD(mm)	ID(mm)	Thickness(mm)	Knives edge
Φ50*Φ16*1	Φ50	Φ16	1	Single or double edges
Φ76*Φ25.4*1.1/1.2	Φ76	Φ25.4	1.1/1.2	
Φ80*Φ25.4*1.1/1.2	Φ80	Φ25.4	1.1/1.2	
Φ90*Φ25.4*1.1/1.2	Φ90	Φ25.4	1.1/1.2	
Φ100*Φ25.4*1.1~1.5	Φ100	Φ25.4	1.1~1.5	
Φ110*Φ25.4*1.1~2	Φ110	Φ25.4	1.1~2	
Φ120*Φ25.4*2	Φ120	Φ25.4	2	
Φ130*Φ25.4*2	Φ130	Φ25.4	2	

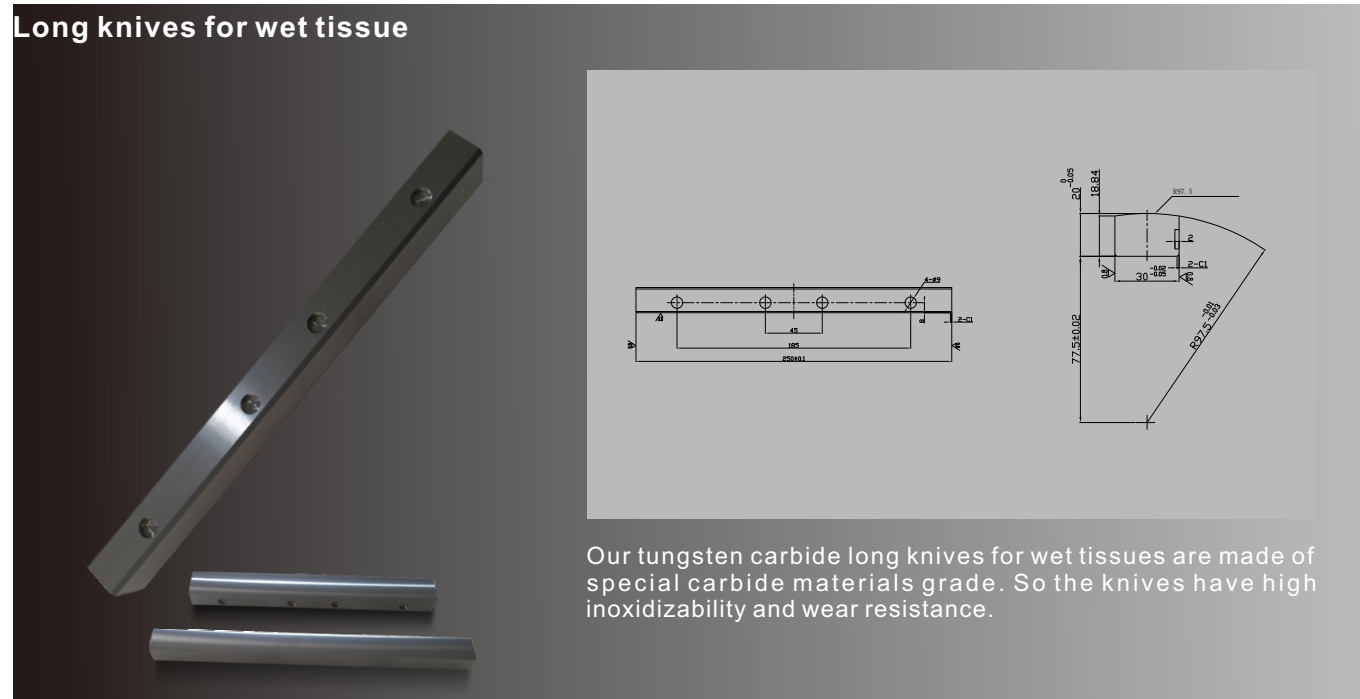
Knife edge type: Single or double side available.
 Materials: Tungsten Carbide or customization Materials.
 Application: For cutting paper tube, disposable paper and so on.

NOTE: Customization available per customer drawing or actual sample



KNIVES FOR DISPOSABLE PAPER INDUSTRY

Long knives for wet tissue



Dimension(mm)	Length(mm)	Width(mm)	Height(mm)	Refer Picture
130*20*8	130	20	8	TCY
120*37*5	120	37	5	FOSBER
250*25*20	250	25	20	Mitsubishi
250*30*20	250	30	20	Mitsubishi
300*25*20	300	25	20	K&M
300*30*20	300	30	20	Marquip

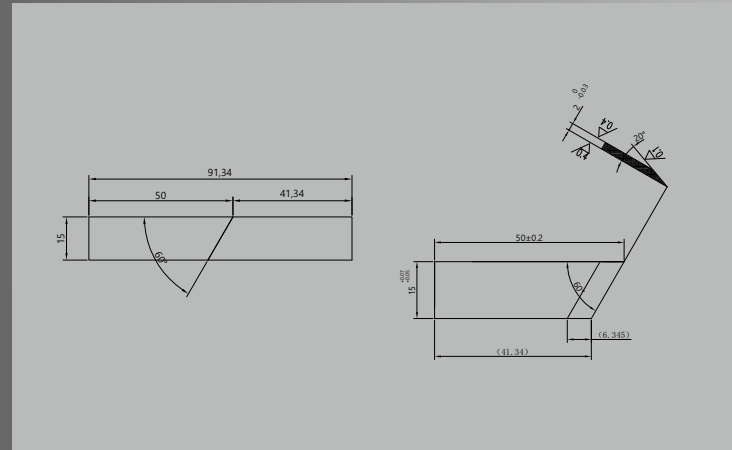
Knife edge type: Single or double side available.
 Materials: Tungsten Carbide or customization Materials.
 Application: For cutting different wet tissues and papers.

NOTE: Customization available per customer drawing or actual sample



BLADES FOR PACKING AND PRINTING INDUSTRY

The Tungsten carbide inserts for book binding



The knife is made of tungsten carbide materials, but other materials are available. Such as HSS, 9CrSi, Cr12Mo, VW6Mo5, Cr4V2, hard alloy, etc
Hardness guarantee: The raw materials are heat treated, vacuum treated, and the hardness is higher. Heat treatment in your own factory to ensure product stability.

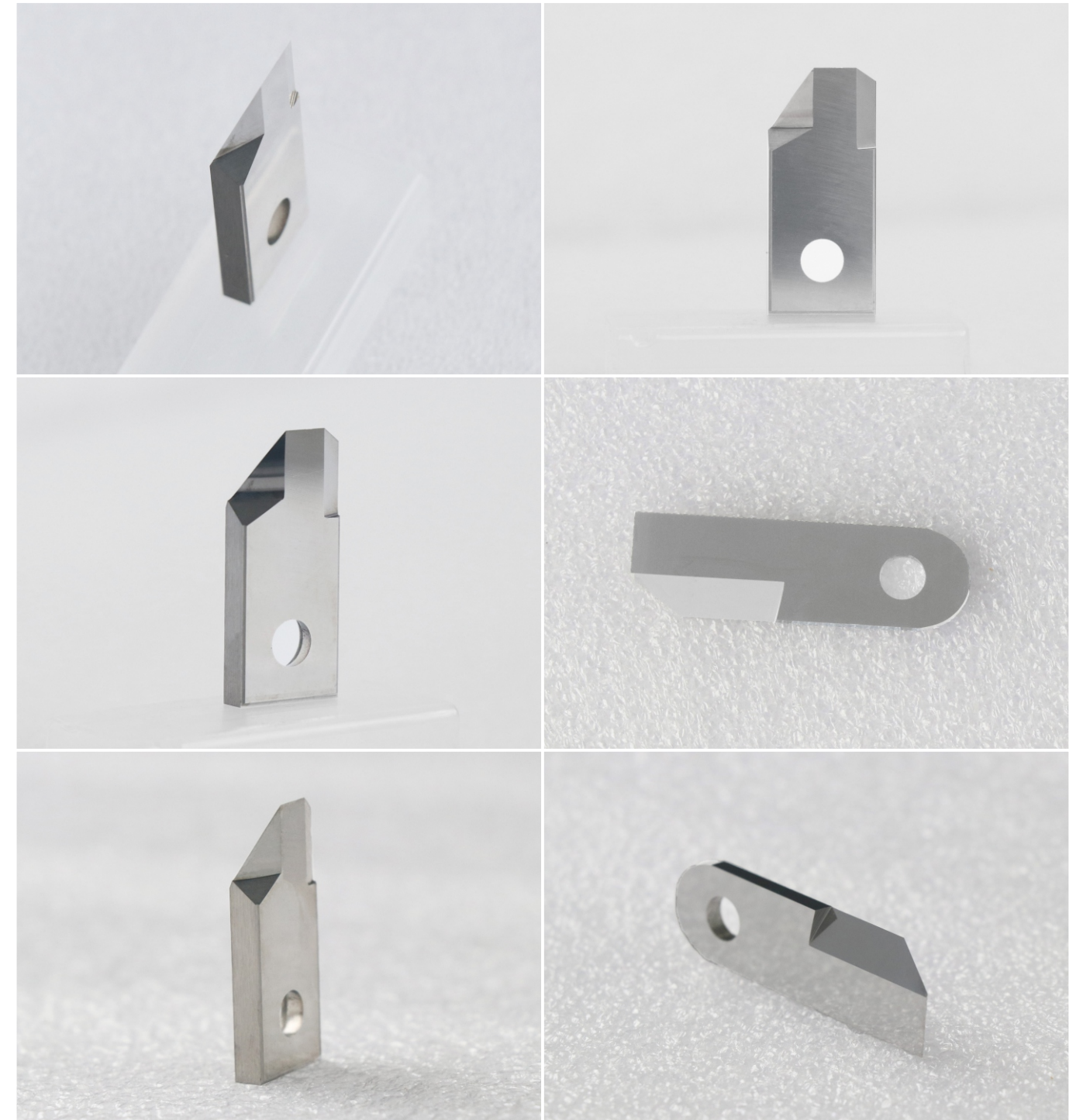
No.	Dimension(mm)	No.	Dimension(mm)	Knives Edge	Material
1	72*14*4	10	50*16*2	1. Single edge 2. Double edge 3. Custom edge	Tungsten Carbide
2	72*14*9	11	50*15*2		Tungsten Carbide
3	65*18*15	12	50*15*1.6		Tungsten Carbide
4	63*14*4	13	50*12*2		Tungsten Carbide
5	55*18*5	14	45*15*3		Tungsten Carbide
6	50*15*3	15	38*15*3		Tungsten Carbide
7	50*14.5*4	16	32*14*3.7		Tungsten Carbide
8	50*14*3.5	17	21.2*18*2.8		Tungsten Carbide
9	60*15*2	18	20.8*8*5		Tungsten Carbide

Knife edge type: Single or double side available.

Materials: Tungsten Carbide or customization Materials.

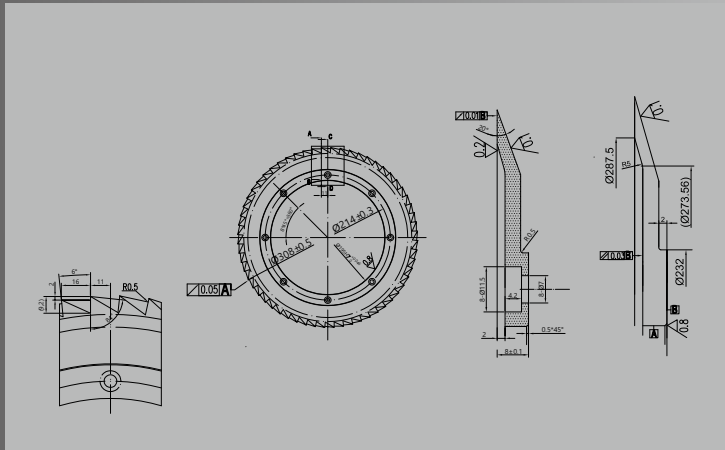
Application: For cutting different packing materials, such as plastic bag, paper bag, paper carton, fiber and so on.

NOTE: Customization available per customer drawing or actual sample



SLITTING KNIVES FOR CORRUGATED PAPERBOARD INDUSTRY

The Tungsten carbide milling(saw) blades with teeth for paper processing.



Sharp edge: The knife edge is sharp, smooth, sharp and durable, imported precision processing equipment can process a variety of non-standard products to ensure the precision of the products.
Durable: Double-sided blade, low friction coefficient and long service life, each blade detects inbound shipments, ensuring quality without worry.

Dimension(mm)	OD(mm)	ID(mm)	Thickness(mm)	Knives edge
Φ308*Φ225*8	308	225	8	1. Single edge 2. Double edge 3. Custom edge
Φ308*Φ195*8	308	195	8	
Φ150*Φ32*0.7	150	32	0.7	
Φ125*Φ40*0.5	125	40	0.5	
Φ85*Φ35*0.7	85	35	0.7	
Φ35*Φ18*1	35	18	1	

Knife edge type: Single or double side available.

Materials: Tungsten Carbide or customization Materials.

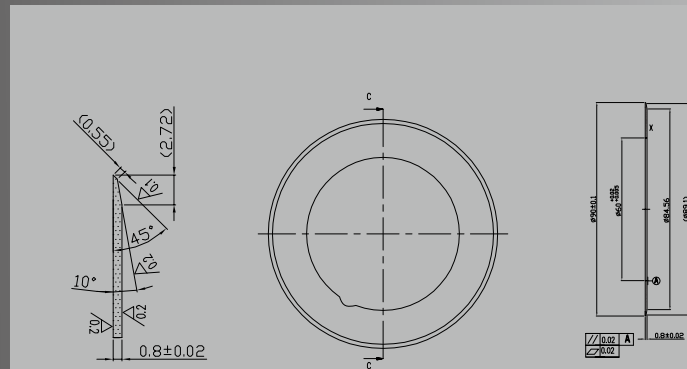
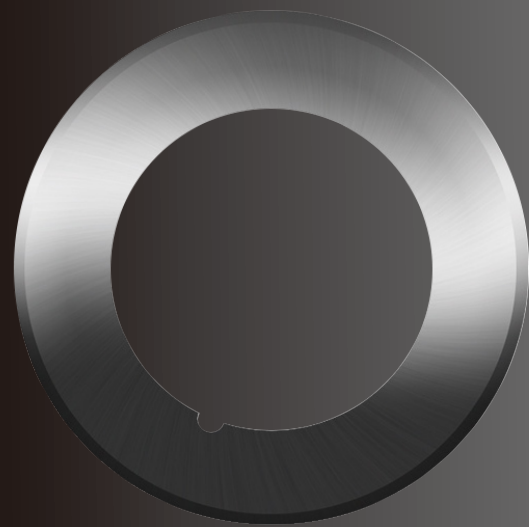
Application: For cutting different papers, wooden, freezing food meat, iron tube and so on.

NOTE: Customization available per customer drawing or actual sample



BLADES FOR LITHIUM INDUSTRY

Slitter blades for lithium battery electrode sheet
Capacitance special knives



The knife is made of tungsten carbide materials, but other materials are available. Such as HSS, 9CrSi, Cr12Mo, VW6Mo5, Cr4V2, hard alloy, etc
Hardness guarantee: The raw materials are heat treated, vacuum treated, and the hardness is higher. Heat treatment in your own factory to ensure product stability.

No.	Dimension(mm)	No.	Dimension(mm)	Knives Edge	Material
1	Φ90*Φ60*0.8	11	Φ90*Φ60*0.2	1. Single edge 2. Double edge 3. Custom edge	Tungsten Carbide
2	Φ100*Φ65*0.7	12	Φ100*Φ65*2		Tungsten Carbide
3	Φ100*Φ65*1	13	Φ100*Φ65*3		Tungsten Carbide
4	Φ105*Φ70*1.2	14	Φ70*Φ45*5		Tungsten Carbide
5	Φ110.2*Φ90*1	15	Φ110*Φ75*3		Tungsten Carbide
6	Φ110*Φ90*1	16	Φ110*Φ90*3		Tungsten Carbide
7	Φ130*Φ88*1	17	Φ130*Φ70*3/5		Tungsten Carbide
8	Φ130*Φ97*0.8/0.3	18	Φ130*Φ95*4		Tungsten Carbide
9	Φ130*Φ97*1	19	Φ130*Φ95*5		Tungsten Carbide
10	Φ68*Φ46*0.5 upper	20	Φ60*Φ40*5 lower		Tungsten Carbide

Knife edge type: Single or double side available.

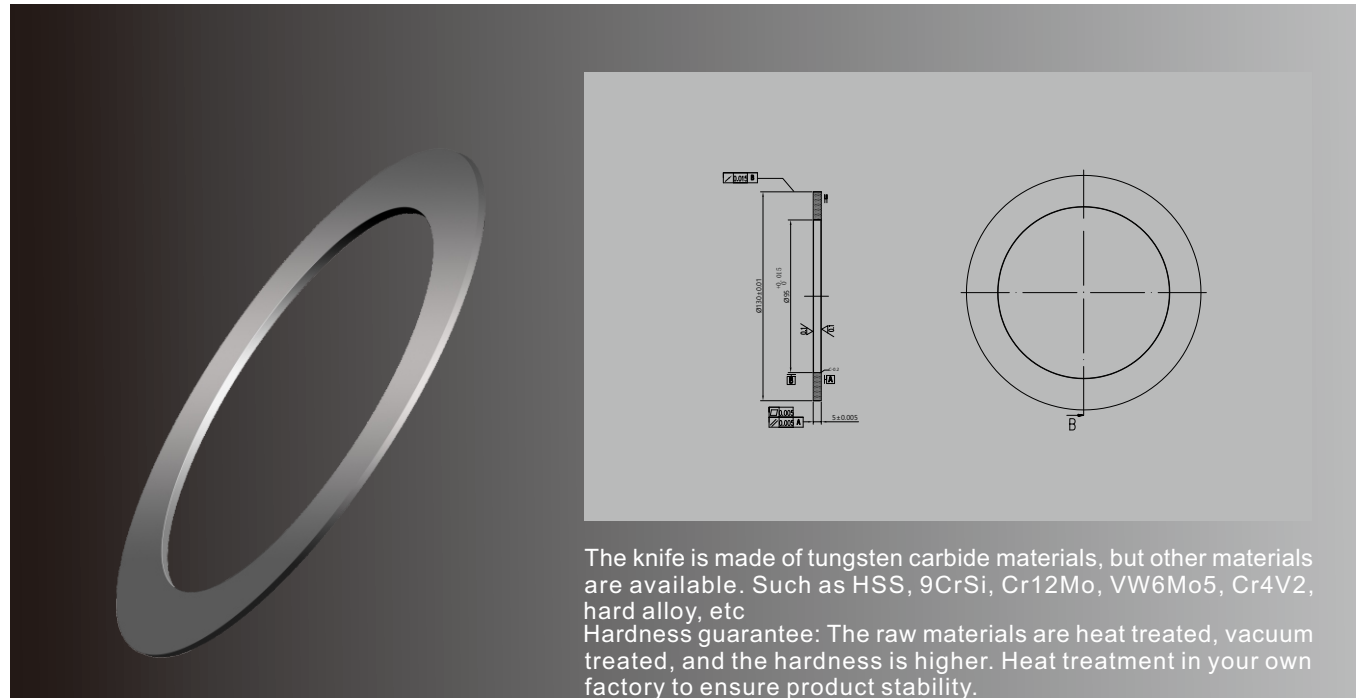
Materials: Tungsten Carbide or customization Materials.

Application: For cutting Lithium battery, aluminum, film, foam, rubber, foil, graphite and so on.

NOTE: Customization available per customer drawing or actual sample



THE KNIVES FOR METAL SLITTING



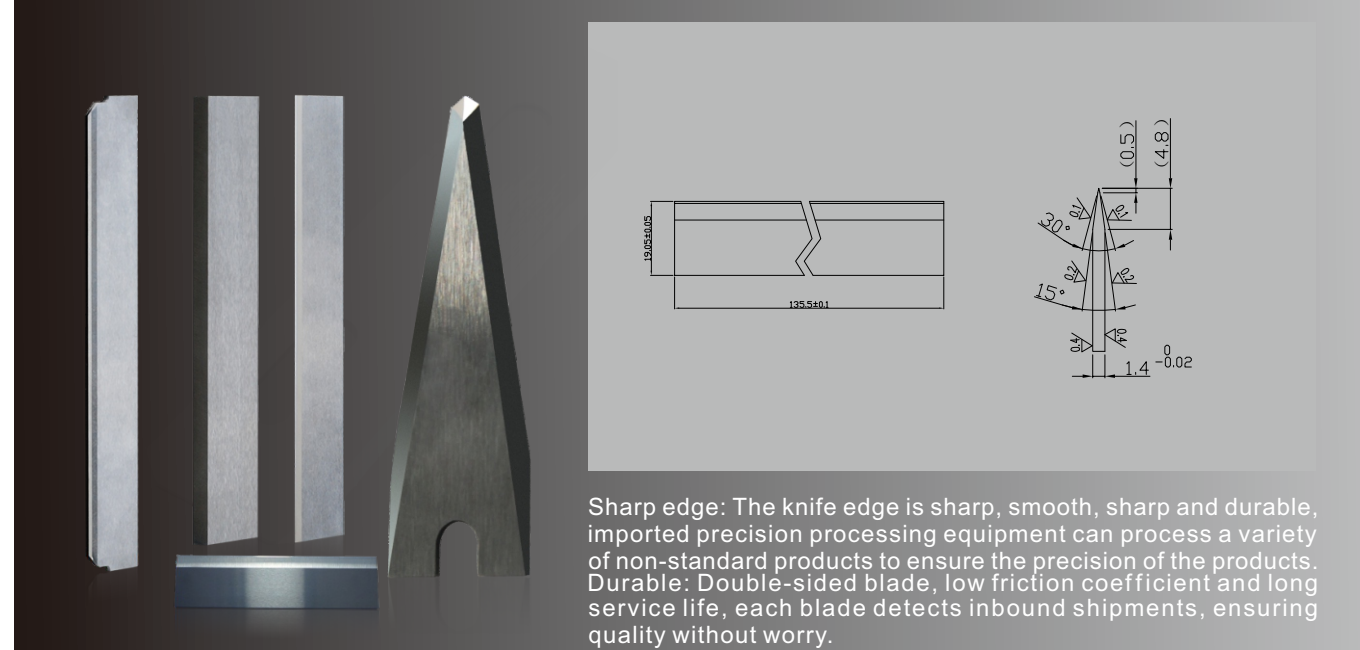
Dimension(mm)	OD(mm)	ID(mm)	Thickness(mm)	Material
Φ340*Φ225*20	340	225	20	Tungsten Carbide
Φ285*Φ180*5	285	180	5	Tungsten Carbide
Φ285*Φ180*10	285	180	10	Tungsten Carbide
Φ250*Φ160*8	250	160	8	Tungsten Carbide
Φ250*Φ145*10	250	145	10	Tungsten Carbide
Φ250*Φ190*15.3	250	190	15.3	Tungsten Carbide
Φ250*Φ150*12	250	150	12	Tungsten Carbide
Φ250*Φ160*10	250	160	10	Tungsten Carbide
Φ250*Φ110*10	250	110	10	Tungsten Carbide
Φ260*Φ160*10	260	160	10	Tungsten Carbide
Φ204.1*Φ127*11	204.1	127	11	Tungsten Carbide
Φ160*100*11	160	100	11	Tungsten Carbide
Φ160*Φ90*7.93	160	90	7.93	Tungsten Carbide

Note: Customization available per customer's drawing or sample



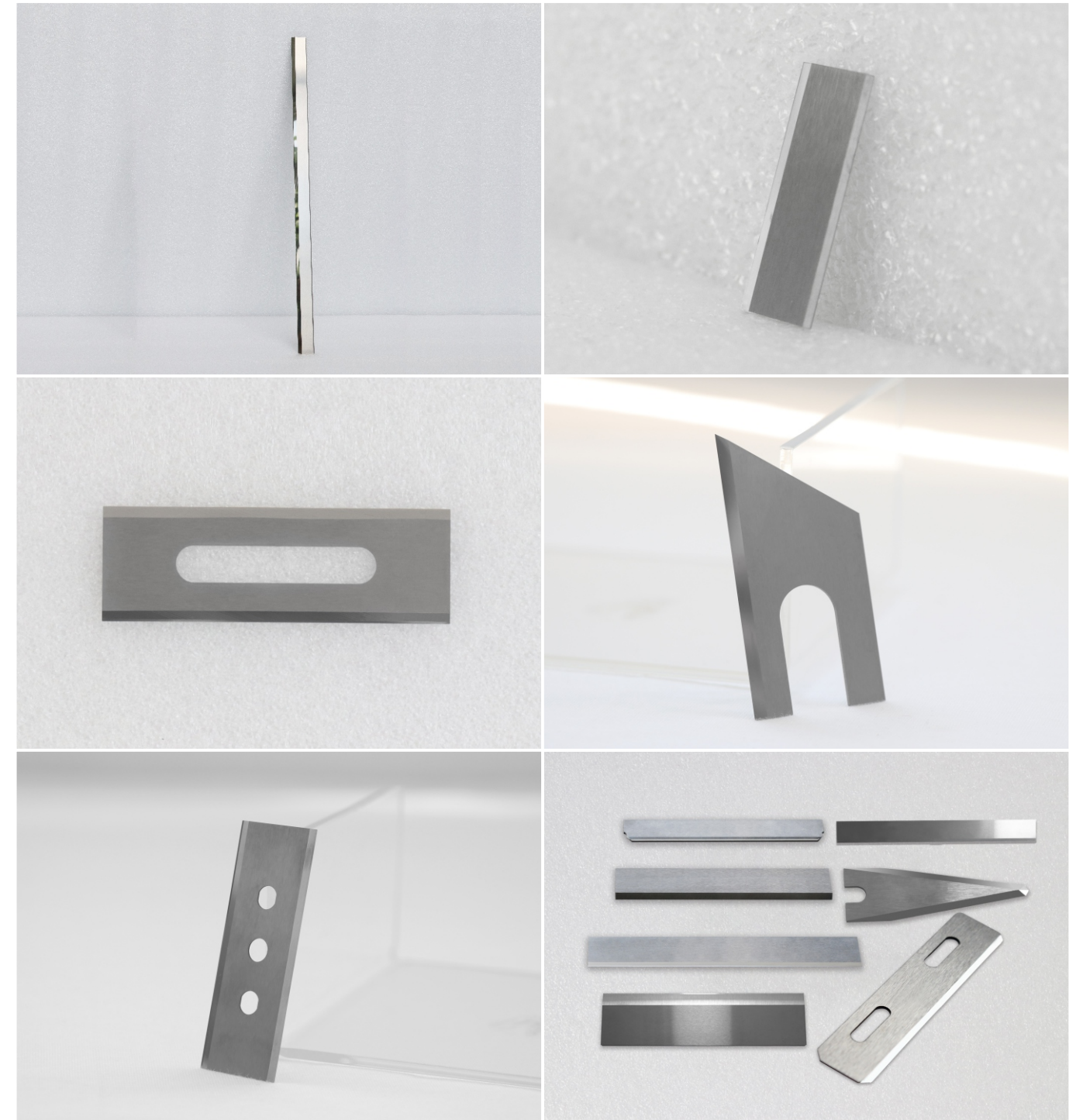
THIN BLADES FOR CHEMICAL FIBER INDUSTRY

Thin blades for chemical Fiber industry

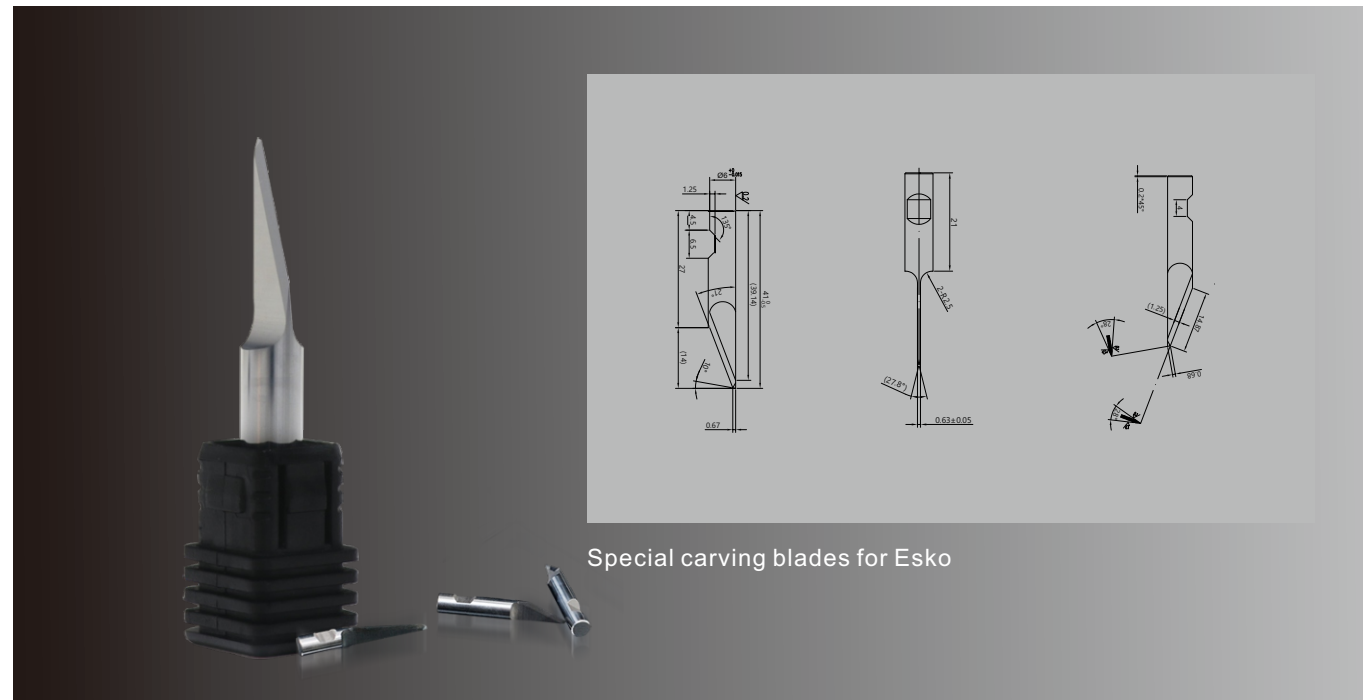


No.	Common Size(mm)	Material
1	193*18.9*0.884	Tungsten Carbide
2	170*19*0.884	Tungsten Carbide
3	140*19*1.4	Tungsten Carbide
4	140*19*0.884	Tungsten Carbide
5	135.5*19.05*1.4	Tungsten Carbide
6	135*19.05*1.4	Tungsten Carbide
7	135*18.5*1.4	Tungsten Carbide
8	118*19*1.5	Tungsten Carbide
9	117.5*15.5*0.9	Tungsten Carbide
10	115.3*18.54*0.84	Tungsten Carbide
11	95*19*0.884	Tungsten Carbide
12	90*10*0.9	Tungsten Carbide
13	74.5*15.5*0.884	Tungsten Carbide

Note: Customization available per customer's drawing or sample



BLADES FOR CARVING



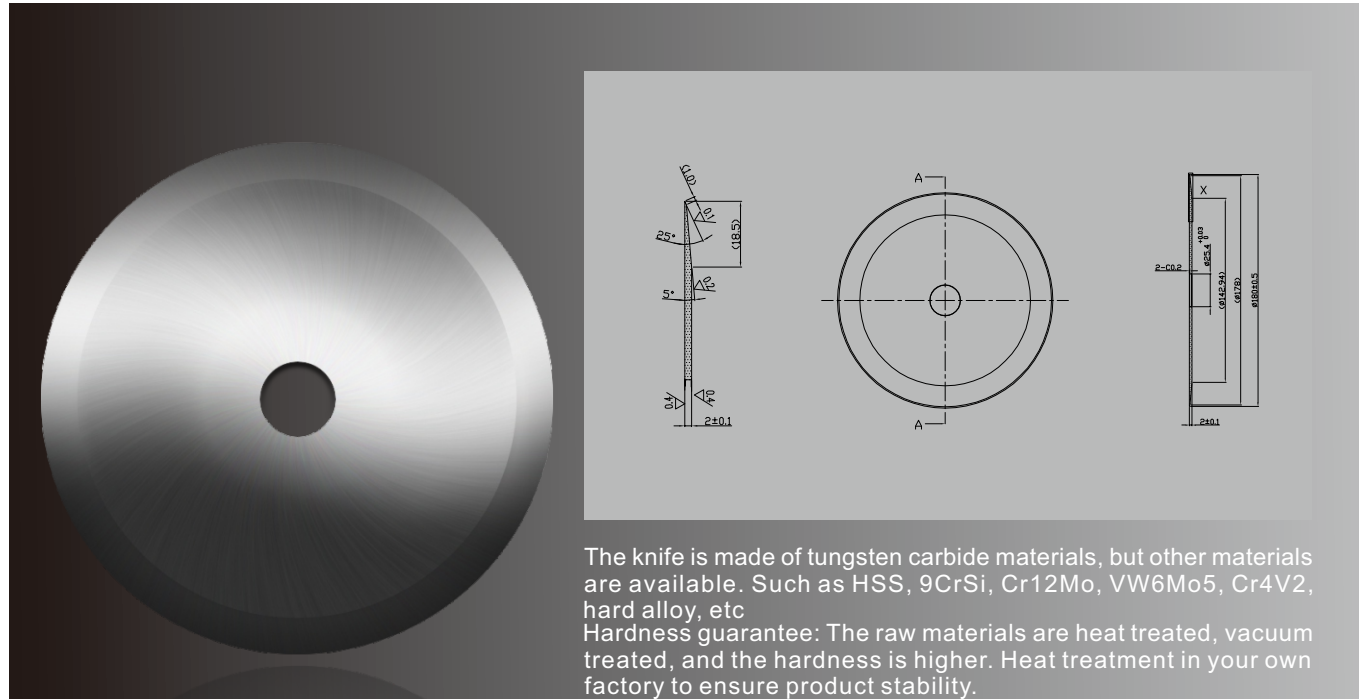
Special carving blades for Esko

No.	Size(mm)	Material
1	Φ8*133	Tungsten Carbide
2	Φ8*48.5	Tungsten Carbide
3	Φ8*40	Tungsten Carbide
4	Φ6*133	Tungsten Carbide
5	Φ6*41	Tungsten Carbide
6	Φ6*39	Tungsten Carbide
7	Φ6*36	Tungsten Carbide
8	Φ4*22	Tungsten Carbide

Note: Customization available per customer's drawing or sample

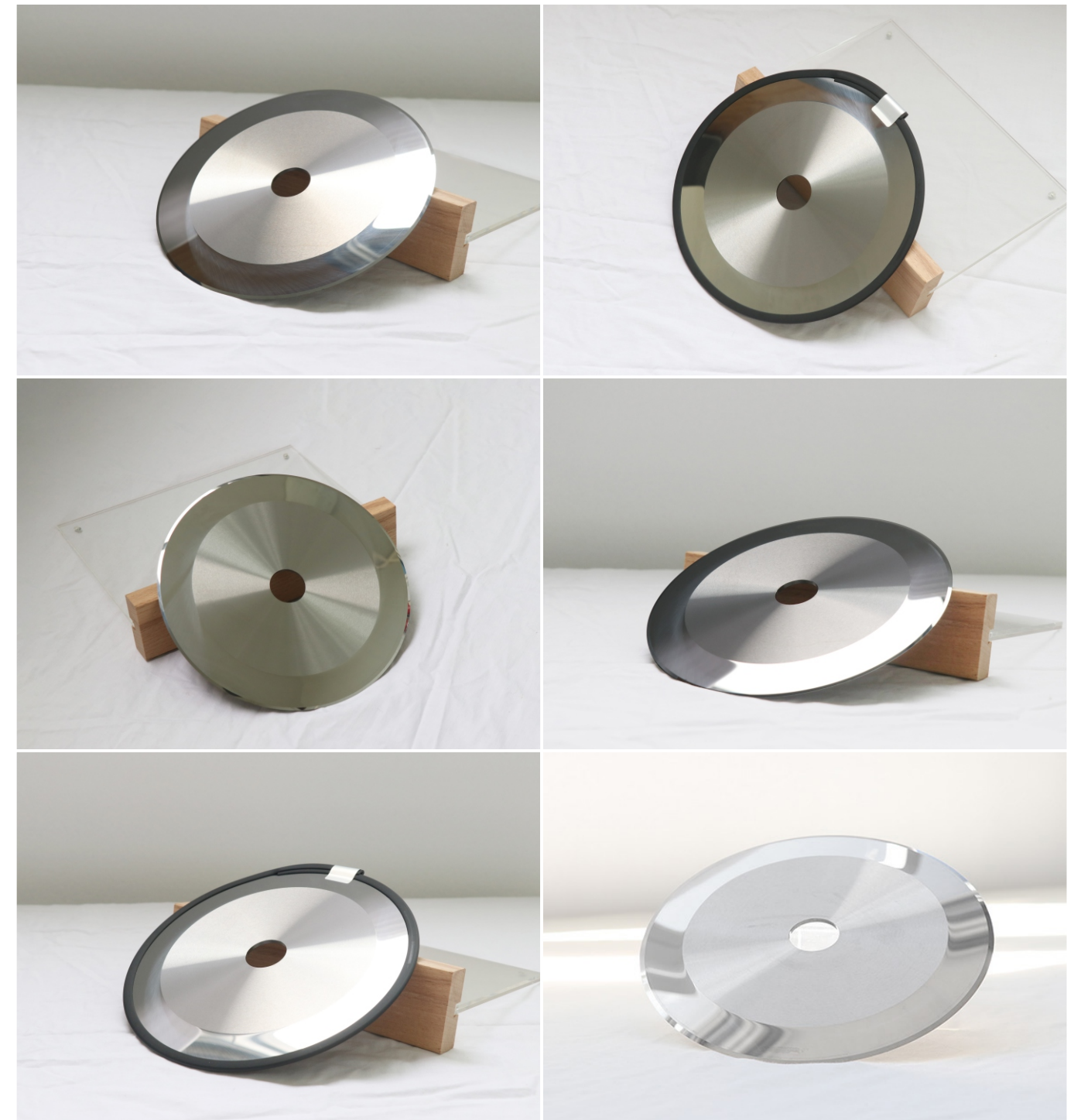


SPECIAL CIRCULAR KNIVES FOR GUMMED TAPE SLITTING

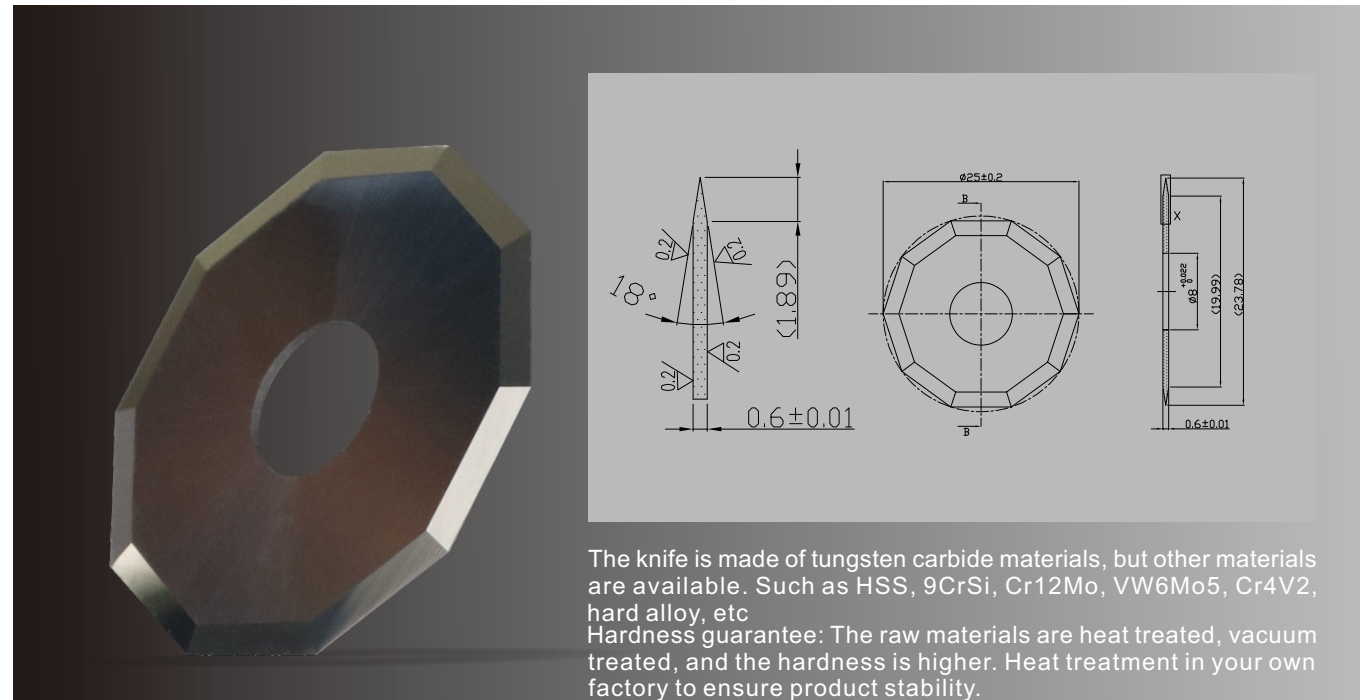


No.	Dimension(mm)	OD(mm)	ID(mm)	Thickness(mm)	Material
1	Φ150*Φ25.4*2	150	25.4	2	Tungsten Carbide
2	Φ160*Φ25.4*2	160	25.4	2	Tungsten Carbide
3	Φ180*Φ25.4*2	180	25.4	2	Tungsten Carbide
4	Φ180*Φ25.4*2.5	180	25.4	2.5	Tungsten Carbide
5	Φ200*Φ25.4*2	200	25.4	2	Tungsten Carbide
6	Φ250*Φ25.4*2.5	250	25.4	2.5	Tungsten Carbide
7	Φ250*Φ25.4*3	250	25.4	3	Tungsten Carbide
8	Φ300*Φ25.4*3	300	25.4	3	Tungsten Carbide

Note: Customization available per customer's drawing or sample



ZUND BLADE



No.	Size(mm)	No.	Size(mm)	Material
1	17.27*6.35*0.97	1	16*8*0.5	Tungsten Carbide
2	17.48*6.35*1.02	2	18.5*11.7*0.5	Tungsten Carbide
3	25*4*0.6	3	38.1*8*0.254	Tungsten Carbide
4	25*5.5*0.64	4	43*22*0.15/0.2/0.3/0.4	Tungsten Carbide
5	25*8*0.6	5	45*19*0.8	Tungsten Carbide
6	28*4*0.63	6	57.05*19*0.5*0.4	Tungsten Carbide
7	28*5.5*0.65	7	108.08*18*0.4	Tungsten Carbide
8	28.1*6.25*0.6	8	110*18*0.5	Tungsten Carbide

Note: Customization available per customer's drawing or sample

